

JUMPERS AND STUFF

REF	TYPE	DESCRIPTION	PAGE
R624E	SMT	NVSC COLOR BURST	4
R624F	SMT	PHI COLOR BURST	4
R625E	SMT	KEYBOARD MPU CLOCK	9
R624F	SMT	KEYBOARD/SYSTEM RESET	9

CONNECTORS

REF	TYPE	DESCRIPTION	PAGE
CN1	DB25	MOUSE/JOYSTICK 1	5
CN2	DB25	MOUSE/JOYSTICK 2	5
CN3	RCR-J	RIGHT AUDIO OUTPUT	5
CN4	RCR-J	LEFT AUDIO OUTPUT	5
CN5	DB25	EXTERNAL FLOPPY	8
CN6	DB25P	RS232 SERIAL	7
CN7	DB25S	PARALLEL (LINES PORT)	7
CN8	50 DTM	POWER SUPPLY CONNECTOR	3
CN9	DB25P	VIDEO OUTPUT	6
CN10	RCR-J	WARRANTY VIDEO	6
CN11	01-34	INTERNAL FLOPPY SIGNAL	10
CN12	01-34	INTERNAL FLOPPY POWER	10
CN13	NP-30	KEYBOARD REARRANGE	9
CN14	01-34	INTERNAL FLOPPY POWER	10
CN15	NP-30	KEYBOARD REARRANGE	9
CN14	01-34	KEYBOARD STATUS LED'S	9
CN15	PLC/CA PC MEMORY CARD	11	
PS	EDGE	MEMORY BUS EXPANSION	12

KEY COMPONENTS

REF	CHIP	DESCRIPTION	PAGE
U1	80000	80000 PROCESSOR	8MHZ 2
U2	B375	ECC DENISE 8300/8500	2
U3	B375	PAROLA	4
U4	B375	ECC DENISE	4
U5	4145	20Mhz GATE ARRAY	2, 8, 11
U6	8	ASST ROM 256KX16, 200 NS	10
U7	8	ASST DRAM 128KX8	10
U10-11	8	LSI MEMORY 128KX8	10
U12	8	LSI MEMORY 128KX8	10
U13	8	LSI MEMORY 128KX8	10
U14	8	NESSS RESET TIMER	9
U16-17	ASST	ORAM 256KX16, 120 NS	3
U15	I1347	BIOS ROM CHIP	5
U16	I1084	BIOS ROM CHIP	5
U28	I488	E16 LINE DRIVER	7
U29	I489	E16 LINE RECEIVER	7
X1	DSG	11L 28.63636 MHZ NOSC	2
	DSG	11L 28.34512 MHZ PAL	8
YAS1	X1AL	4.230 19MHz PAL BURST	2
YAS2	X1AL	DMZ SERIAL REGENERATOR	2
X2	SSST	PAL VIDEO MODULATOR	4
	ASST	NVSC VIDEO MODULATOR	4

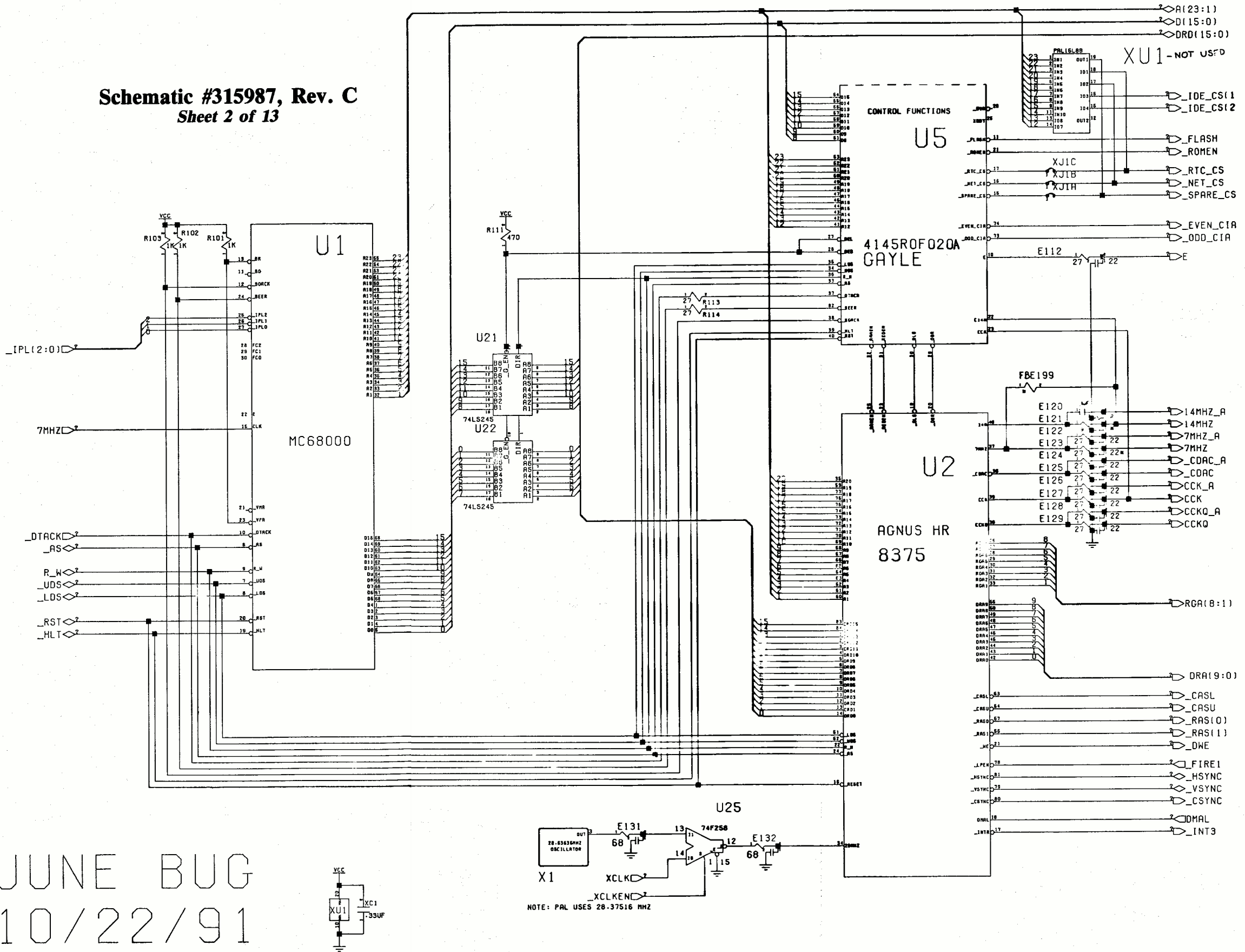
SIGNAL GLOSSARY

SIGNAL	DESCRIPTION (AREA)	PAGES
28MHZ	28.63636 MHZ MASTER CLOCK	
7MHZ	7.15209 MHZ PROCESSOR CLOCK	
AD[31]	PROCESSOR ADDRESS BUS (8000)	
ACK	DATA ACK / AL EDGE (PARALLEL PORT)	
AS	ADDRESS STROBE (8000)	
AUDIN	AUDIO INPUT (RS232 PORT)	
AUDOUT	AUDIO OUTPUT (RS232 JACK)	
BEAR	BUS ERROR (8000)	
BE	BUS ERROR (8000)	
BEACK	BUS ERROR ACKNOWLEDGE (8000)	
BUSBS	BUS STROBE (8000)	
BLIT	CHIP MEMORY ACCESS (CHIPS)	
BS	BUS REQUEST (8000)	
BUSY	DEVICE BUSY (PARALLEL PORT)	
CBASLW	COLUMN ADDRESS STROBE (ORAM)	
CLK/CKU	CLOCK CLOCK / QUADRATURE (CHIPS)	
CLKC	7.15209 MHZ QUADRATURE CLOCK (CHIPS)	
CHNG	MEDIA CHANGE (FLOPPY)	
CRDR/WR	CRAM READ / WRITE (CHIPS)	
COMP	MONOCHROME COMPOSITE VIDEO (VIDEO)	
CS	CHIPS CLEAR TO SEND (RS232 PORT)	
CS[15:0]	PROCESSOR DATA BUS (8000)	
DIA	DATA INDICATION	
DKRD	DISK READ DATA (FLOPPY)	
DKWR	DISK WRITE DATA (FLOPPY)	
DMR	CHIP DMA REQUEST LINE (CHIPS)	
DRM[16:0]	ORAM ADDRESS BUS (ORAM)	
DRM[15:0]	ORAM DATA BUS (ORAM)	
DTX	DATA TRANSFER ACKNOWLEDGE (8000)	
DTA	DATA TERMINAL READY (RS232 PORT)	
EXTCLK	EXTERNAL CLOCK (L2K X1)	
EXTICK	EXPANSION PRESENT / RTC (L2K)	
FL[12:0]	FUNCTION CODE (8000)	
FREQ[0/1]	FREQ. BUZZER / I/O (JOYSTICKS)	
HLT	PROCESSOR HALT (8000)	
HSYNC	HORIZONTAL SYNC (VIDEO)	
INDEX	INDEX PULSE (FLOPPY)	
INT[2,3,6]	INTERRUPT REQUEST (CHIPS)	
I/O RESET	I/O RESET	
INTP[2:0]	INTERRUPT PRIORITY LEVEL (8000)	
KBCLK	KEYBOARD CLOCK (KEYBOARD)	
KBDATA	KEYBOARD DATA (KEYBOARD)	
KBRESET	KEYBOARD RESET (KEYBOARD)	
LS240DS	UPPER / LOWER DATA STROBE (8000)	
LED	POWER ON LED / AUDIO FILTER DISABLE	
LEFT/RIGHT	LEFT/RIGHT AUDIO (AUDIO)	

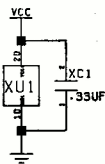
SIGNAL	DESCRIPTION (AREA)	PAGES
LPEN	LIGHT PEN TRIGGER (JOYSTICKS)	
MDR	MODE ON (FLOPPY)	
MDR0	MODE ON / DRIVE 0 (FLOPPY)	
MDV/MDH	MODE 0 QUADRATURE V/M / H (CHIPS)	
MLV/MLH	MODE 1 QUADRATURE V/M / H (CHIPS)	
OVV	OVERLAY ROM OVER RAM	
OVV0	OVERLAY ROM OVER RAM	
OVV1	OVERLAY ROM OVER RAM	
PIFLSH	PIFLASH (CHIPS)	10
PD0XD/0Y	PAL LINES 0 X/Y (DATA)	5
PD1X/1Y	PAL LINES 1 X/Y (DATA)	5
PDR	PAPER OUT (PARALLEL PC)	
PPD[7:0]	PARALLEL PORT DATA (PARALLEL PORT)	
RDPEN	RAM ENABLE (ORAM)	
RDEN	CHIP REGISTER E (CHIPS)	
RD0Z/1	RAM ADDRESS BUS (ORAM)	
RD1	RAM READY (FLOPPY)	
RD2	RAM READY (ORAM)	
RD3	RAM READY (ORAM)	
RD4	RAM READY (ORAM)	
RD5	REQUEST TO SEND (RS232 PORT)	
RD6[16]	REGISTER ADDRESS BUS (CHIPS)	
R/DZB	RED / GREEN / BLUE (VIDEO)	
RHS	RING INDICATE (RS232 PORT)	
RST	PROCESSOR RESET (8000)	
RDMEN	RAM ENABLE (ORAM)	
RDS	REQUEST TO SEND (RS232 PORT)	
RDR	RECEIVE DATA (RS232 PORT)	
RW	PROCESSOR READ/WRITE (8000)	
SEL	SELECT (PARALLEL PORT)	
SEL[3:0]	DRIVE SELECT (FLOPPY)	
STEP	STEP SELECT (FLOPPY)	
STEP	STEP IN/OUT COMMAND (FLOPPY)	
TRKD	TRACK ZERO SENSE (FLOPPY)	
TXD	TRANSMIT DATA (RS232 PORT)	
VDR	VIDEO MEMORY ADDRESS (8000)	
VDR[16]	VIDEO MEMORY ADDRESS (8000)	
VSYNC	VERTICAL SYNC (VIDEO)	
WE	WRITE ENABLE (ORAM)	
WPROT	WRITE PROTECT SENSE (ORAM)	
XCLK	EXTERNAL CLOCK (L2K X1)	
XLDRN	EXTERNAL CLOCK LOCK (L2K X1)	
XRDY	EXTERNAL DATA READY	

== CREDIT CARD AND I/OE STUFF ==

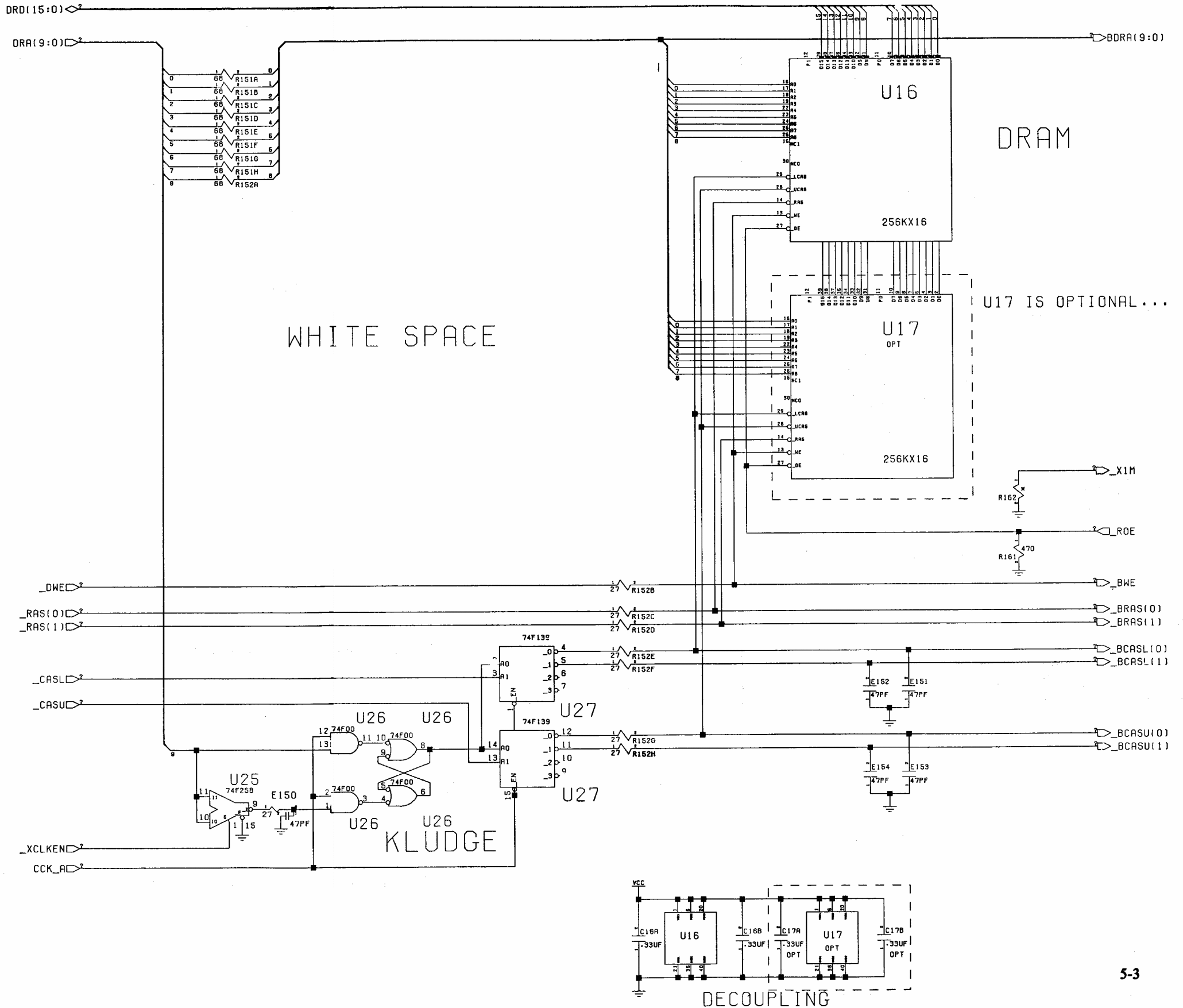
Schematic #315987, Rev. C
Sheet 2 of 13

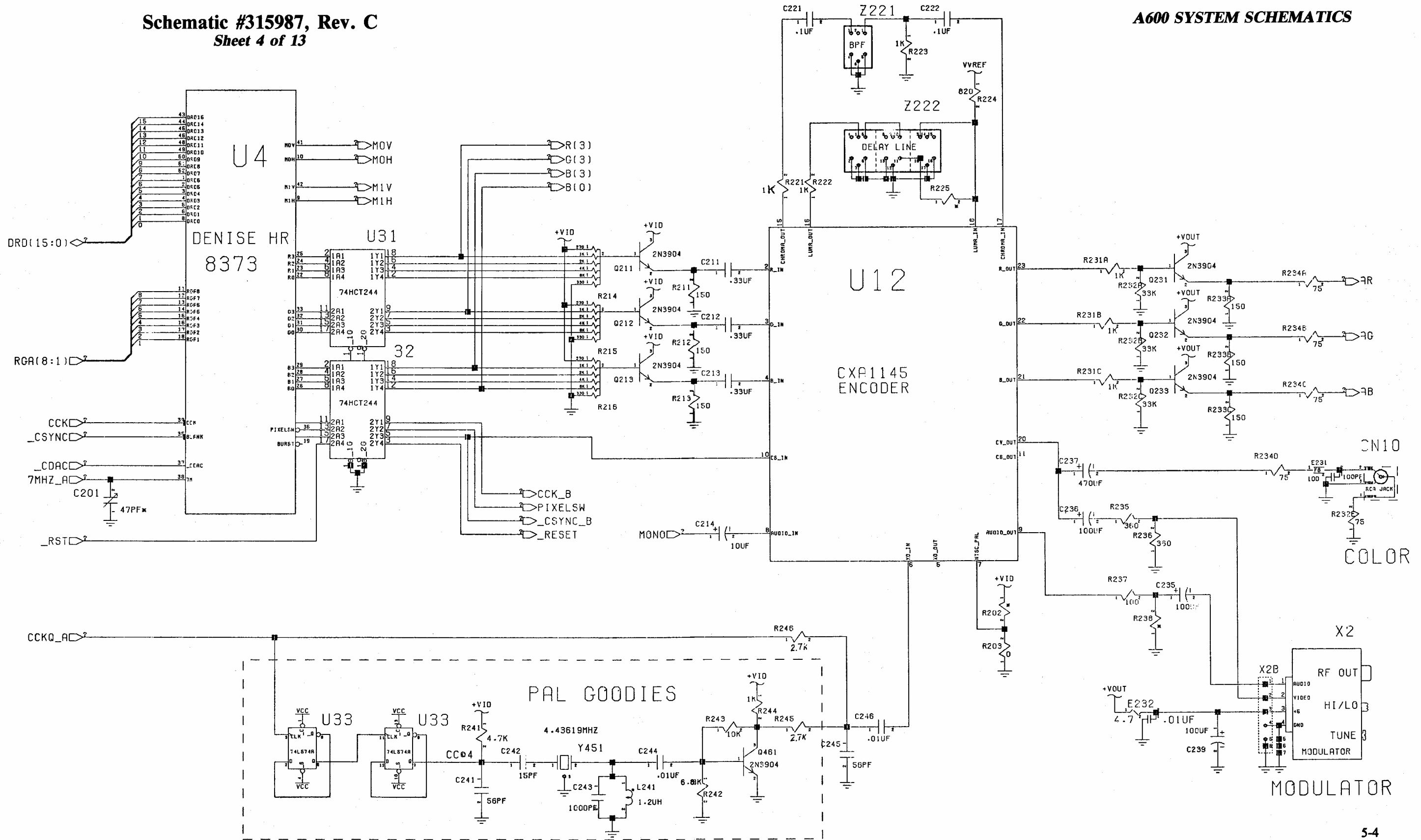


JUNE BUG
10/22/91

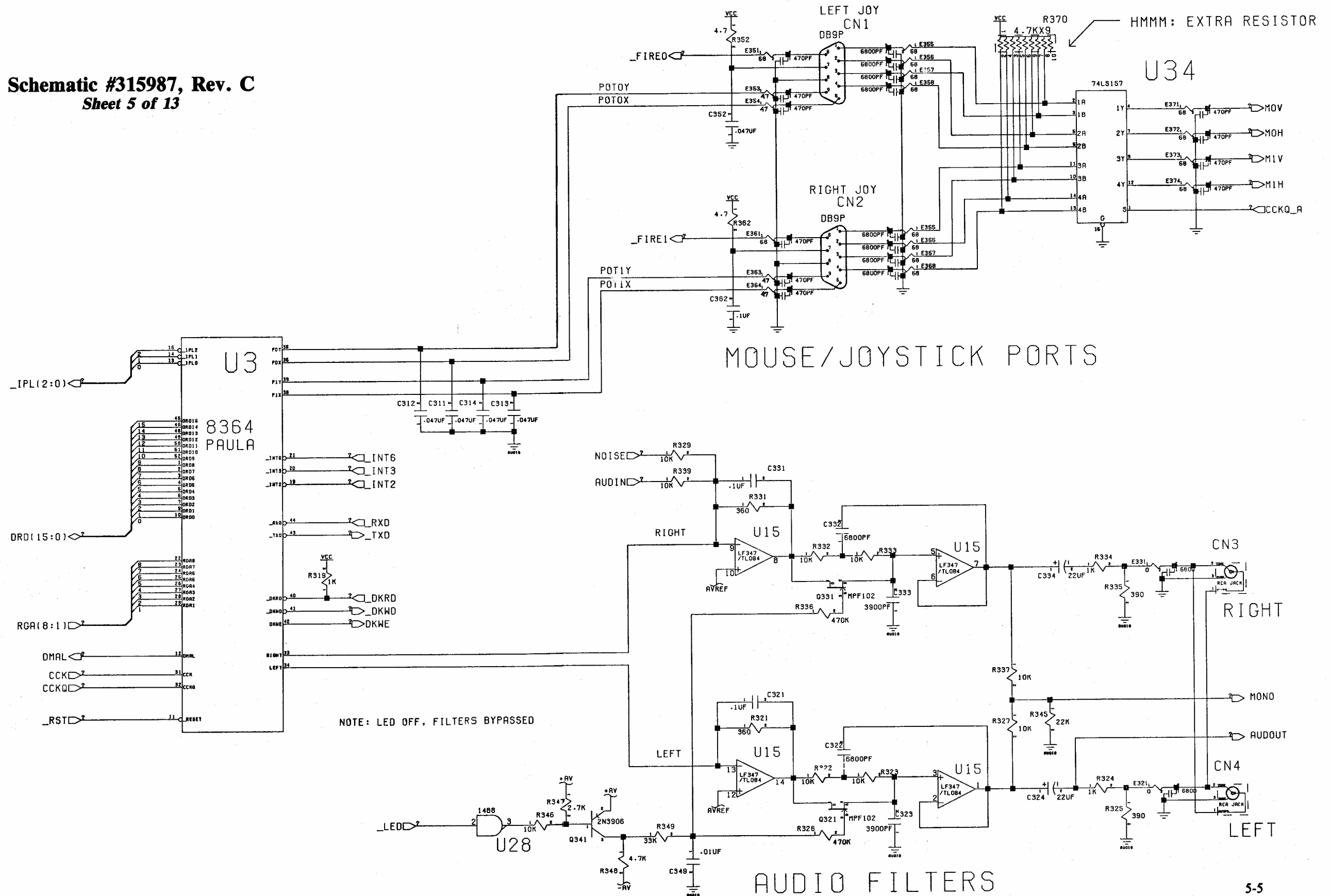


NOTE: PAL USES 28.37516 MHZ





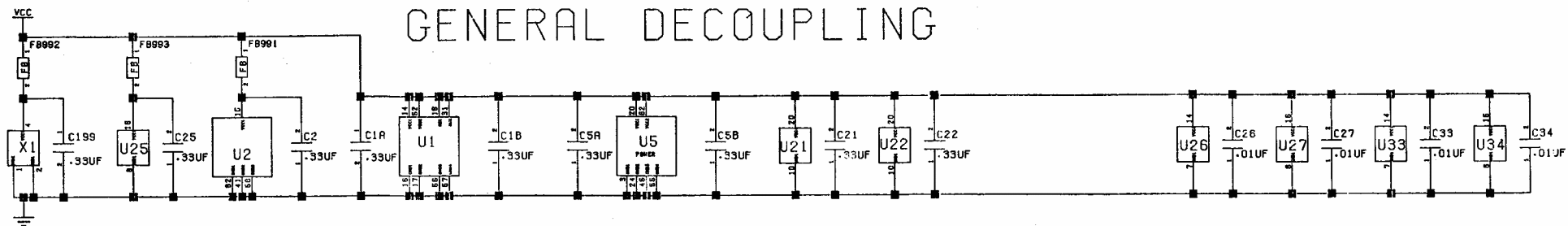
Schematic #315987, Rev. C
Sheet 5 of 13



NOTE: LED OFF, FILTERS BYPASSED

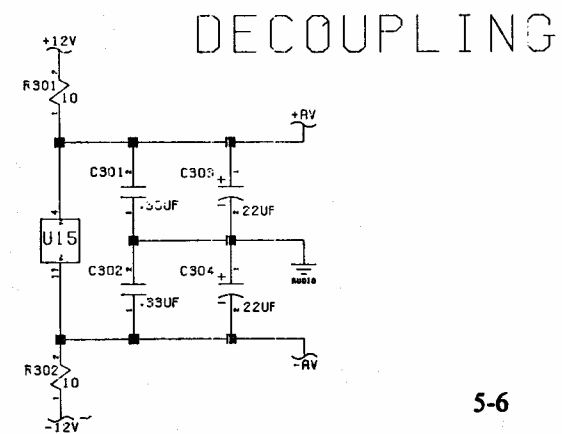
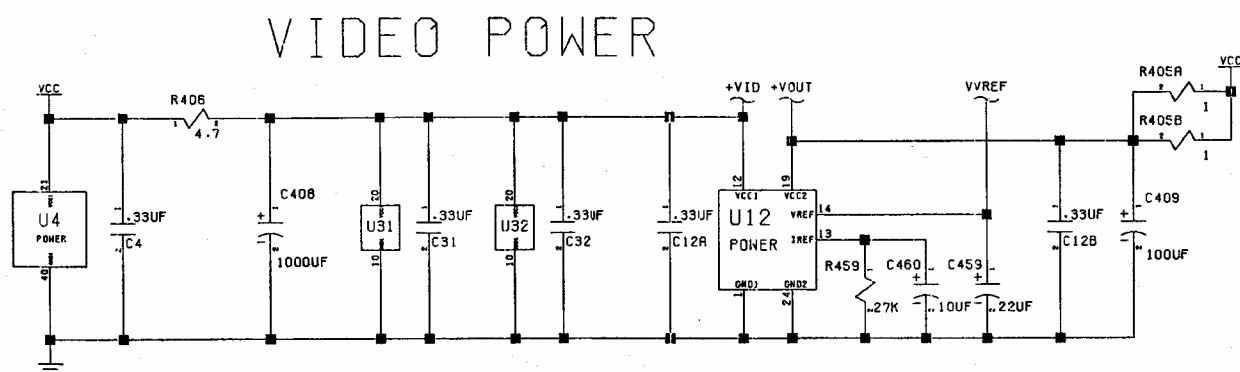
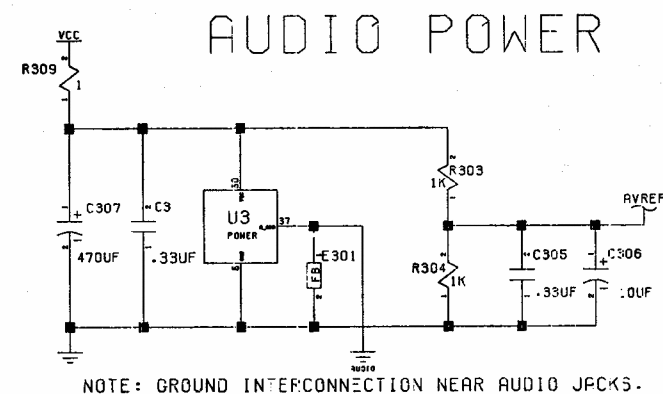
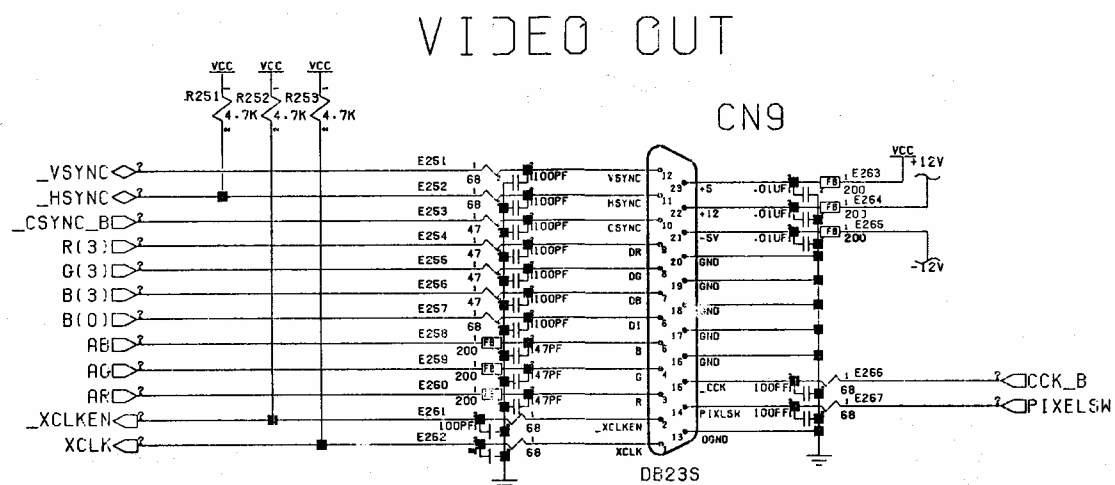
MOUSE/JOYSTICK PORTS

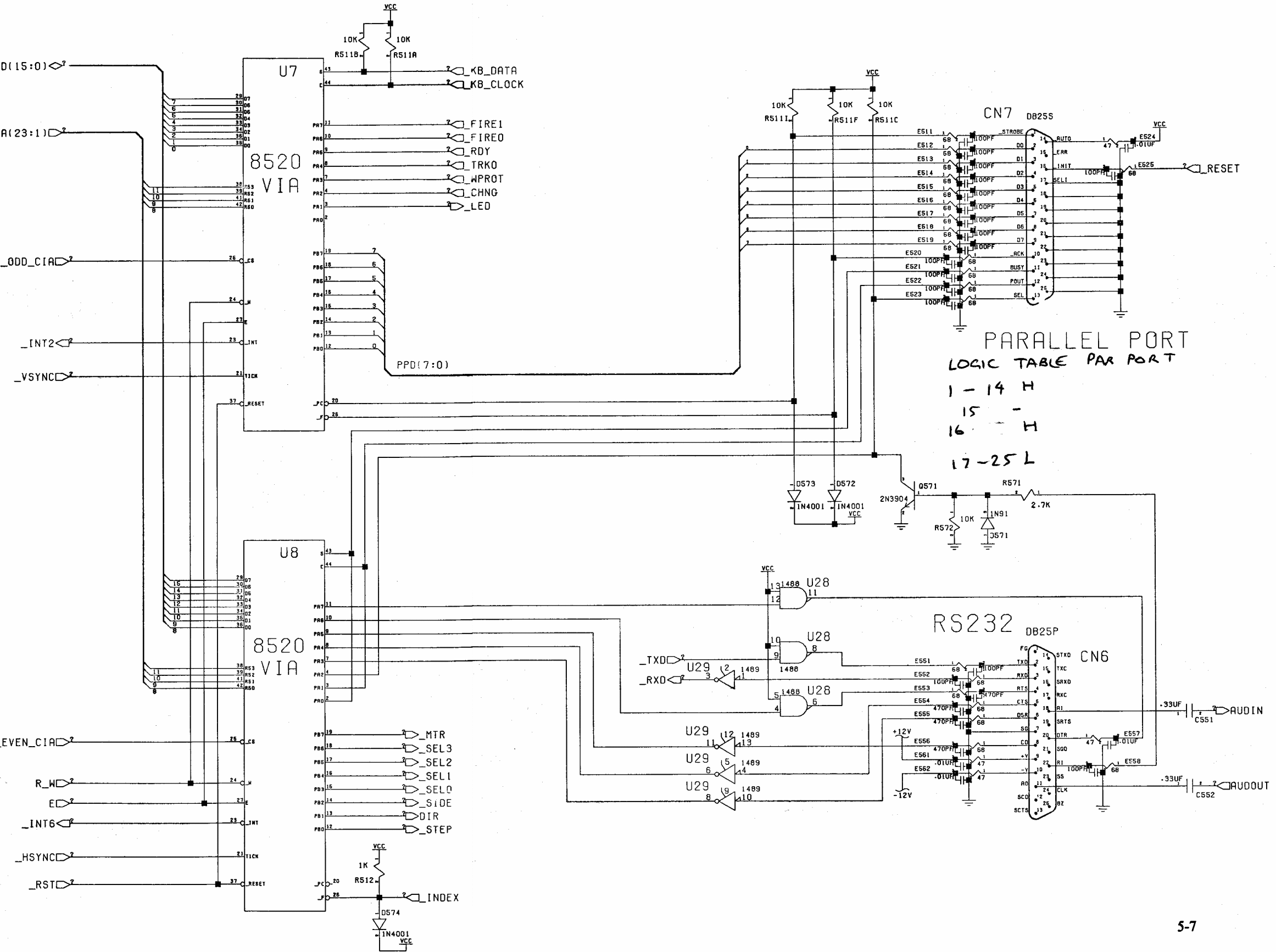
AUDIO FILTERS



Schematic #315987, Rev. C
Sheet 6 of 13

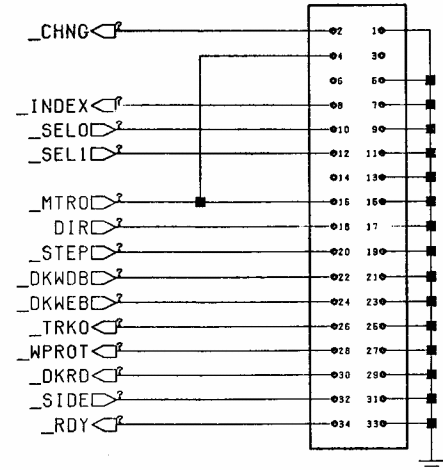
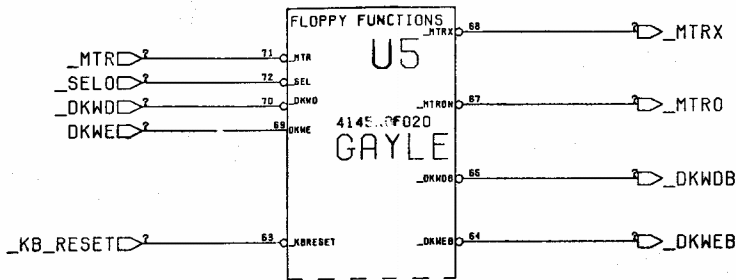
A600 SYSTEM SCHEMATICS



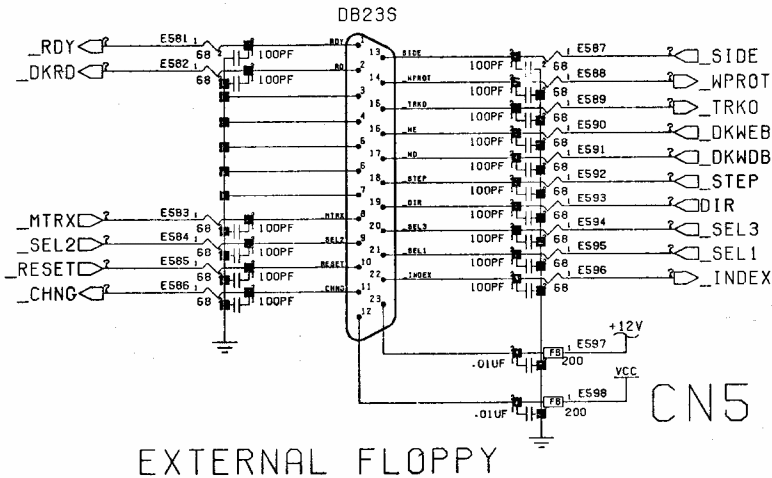


PARALLEL PORT
LOGIC TABLE PAR PORT
1-14 H
15 -
16 - H
17-25 L

FLOPPY LOGIC

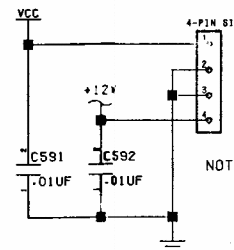


INTERNAL FLOPPY CN11



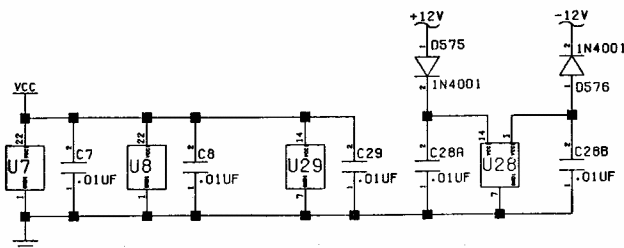
EXTERNAL FLOPPY

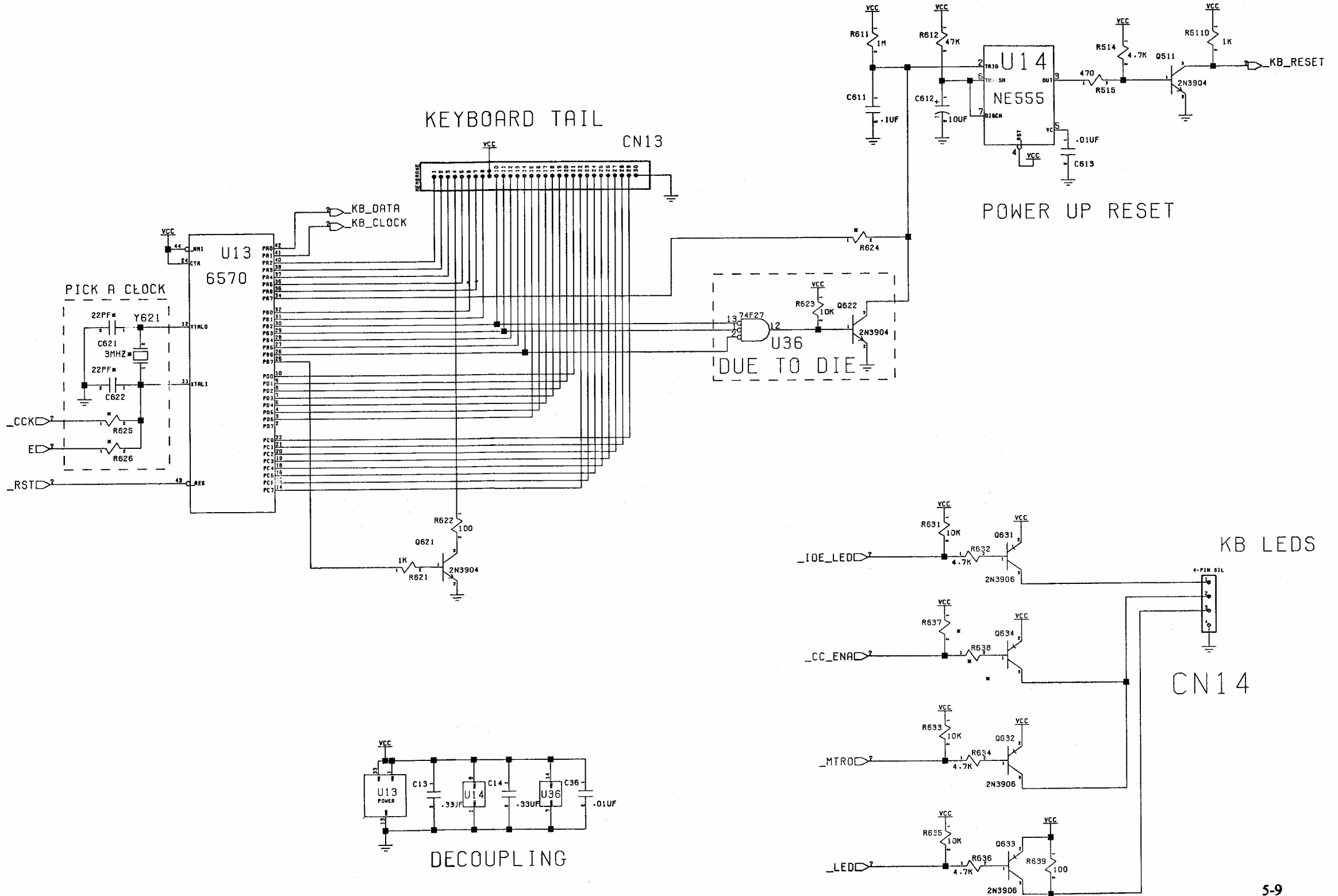
FLOPPY POWER



CN12

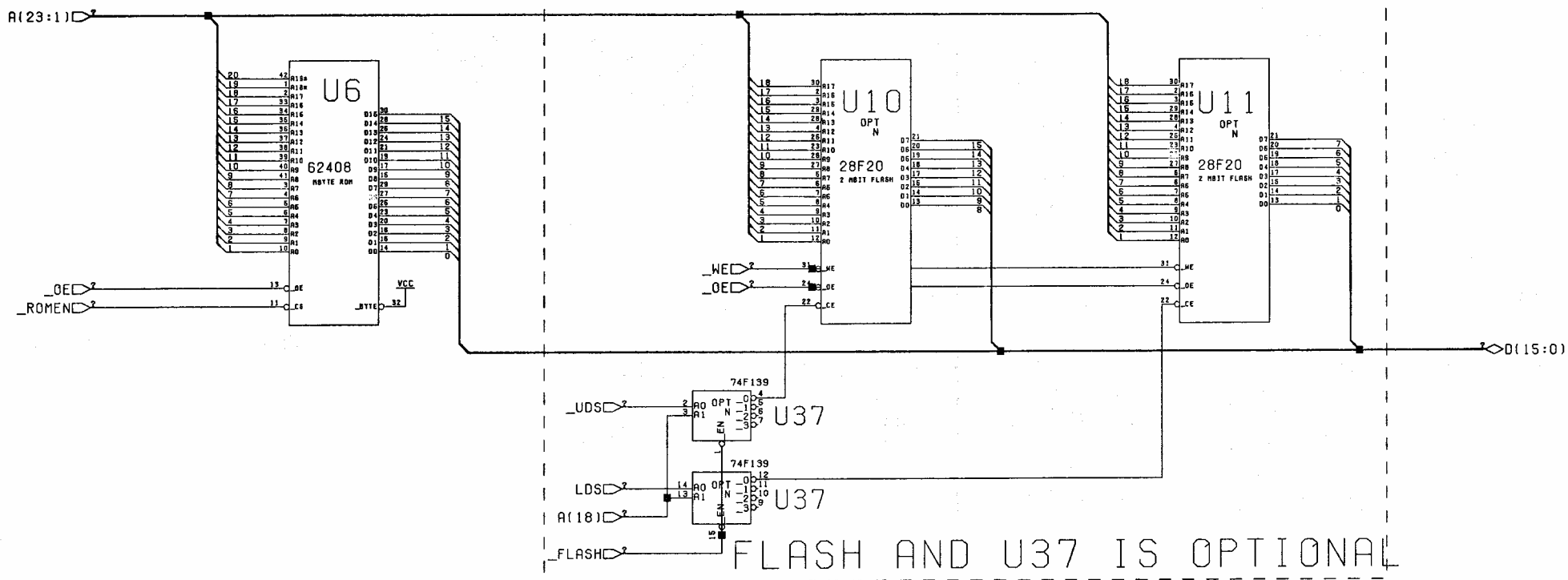
NOTE: SOME DRIVES ARE +5 ONLY...



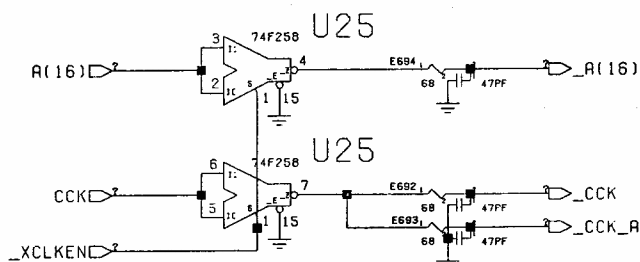
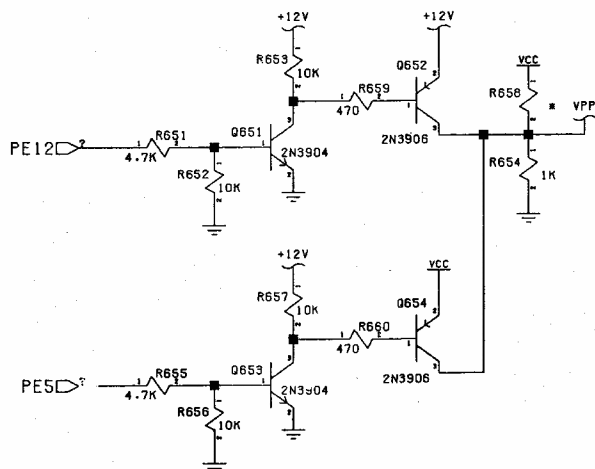


ROM

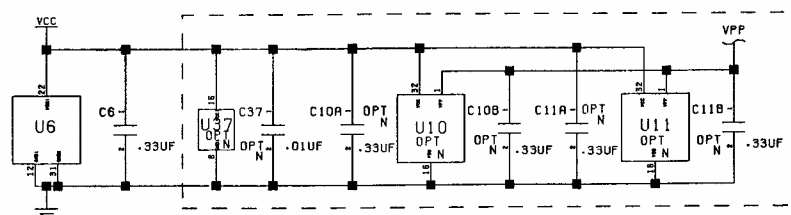
FLASH MEMORY



PROGRAMMING VOLTAGE



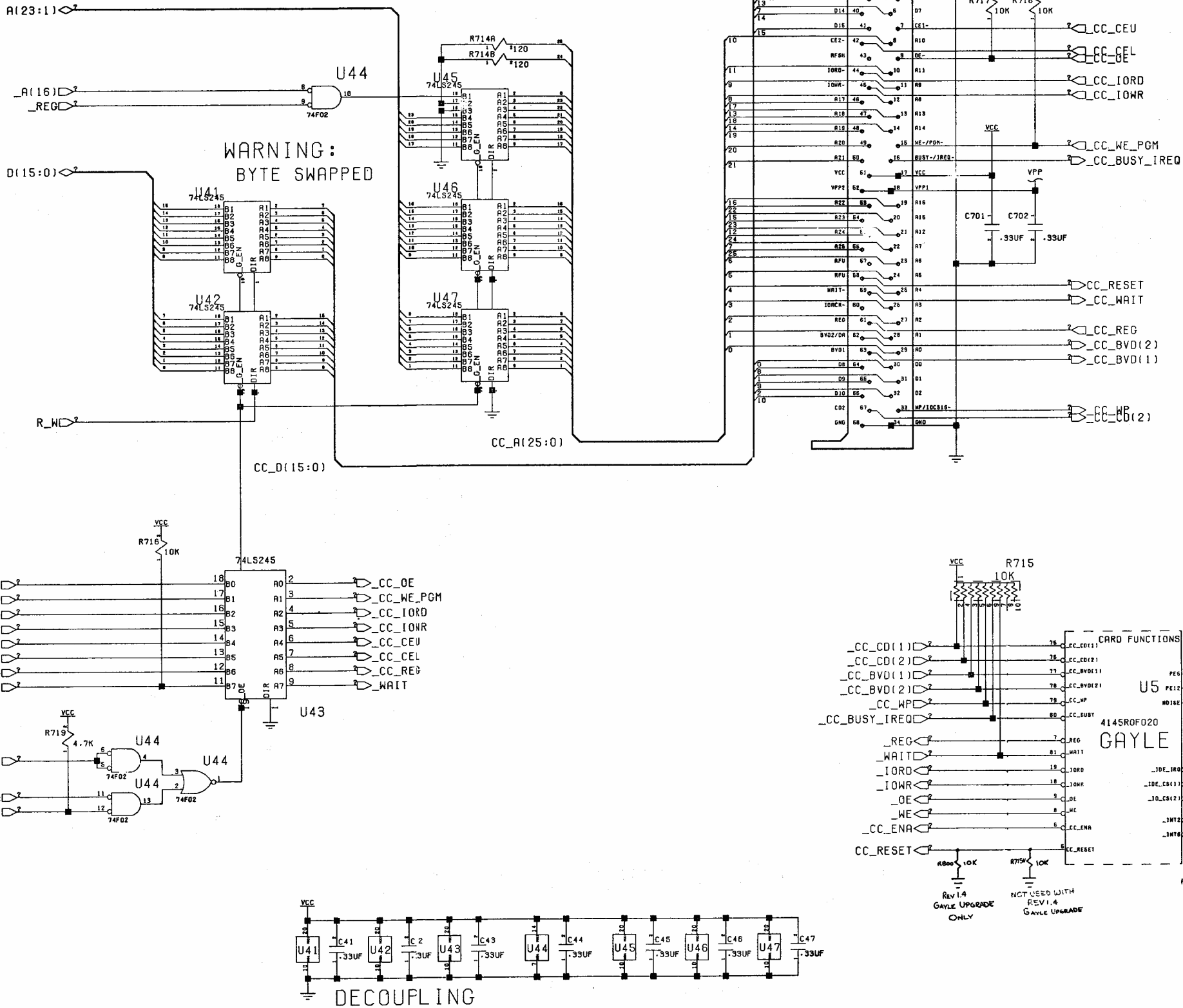
FUNNY INVERTERS



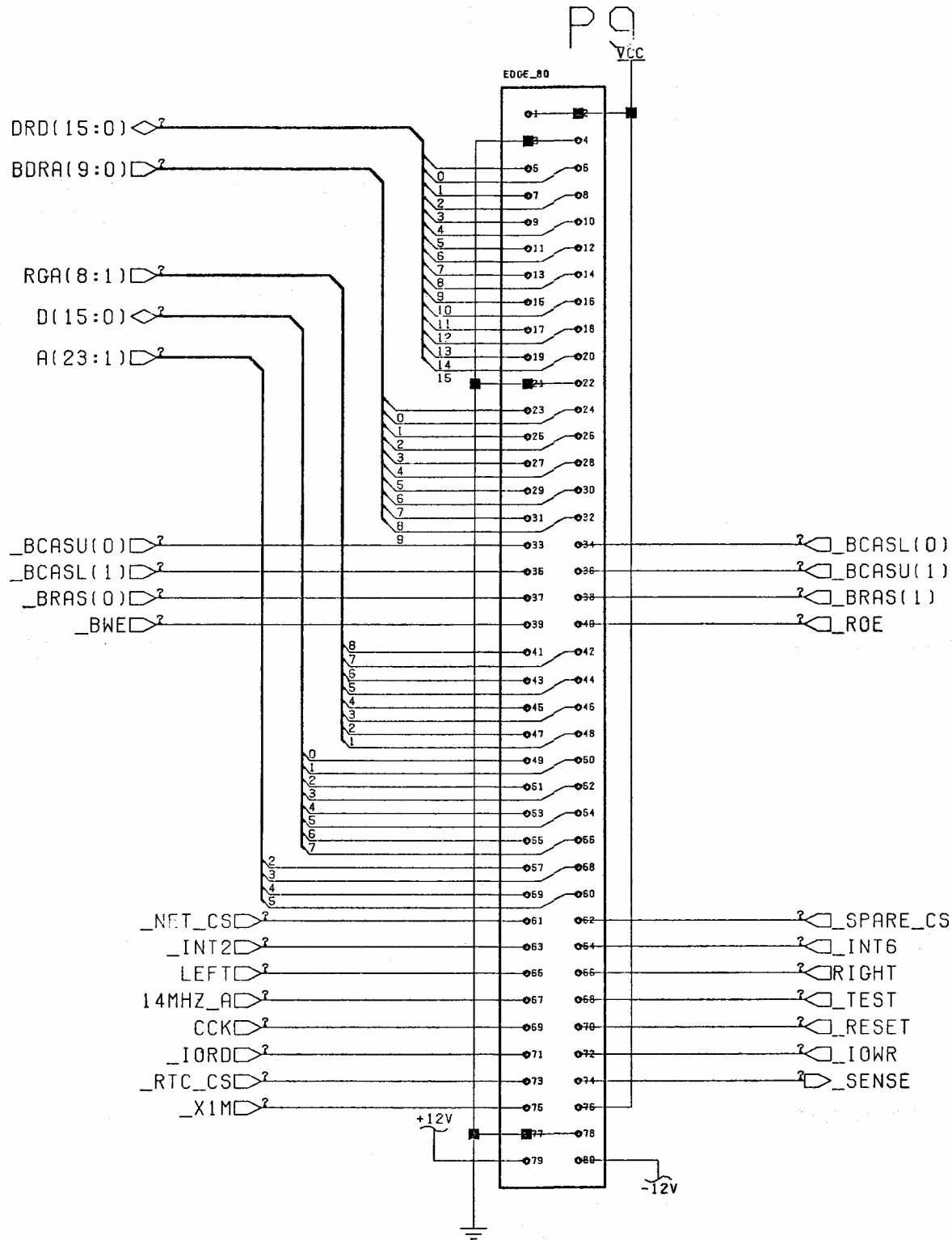
DECOUPLING

MEMORY CARD

CN15



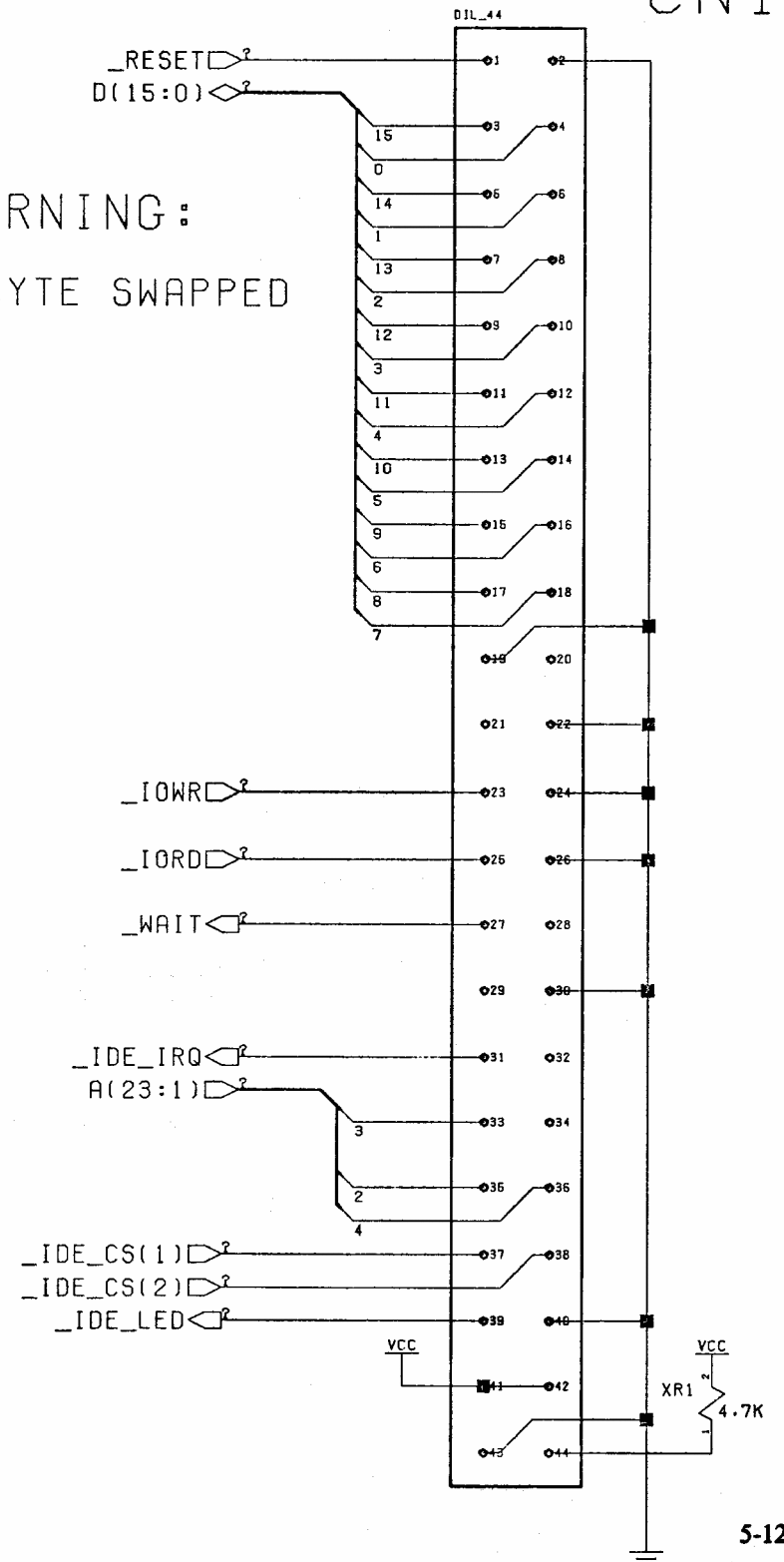
MEMORY EXPANSION



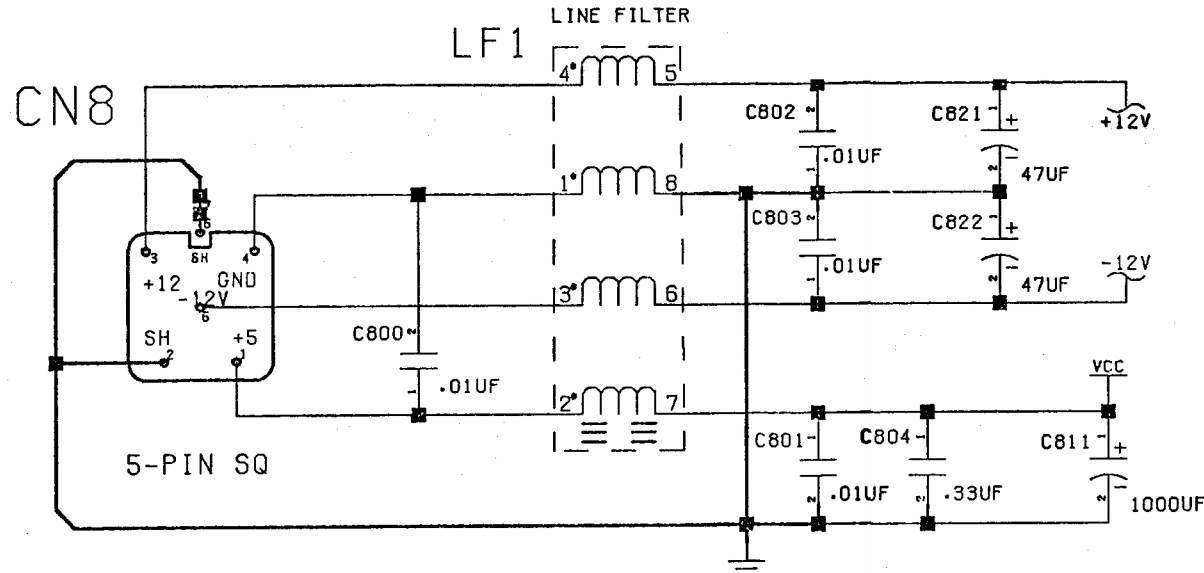
IDE DRIVE

CN16

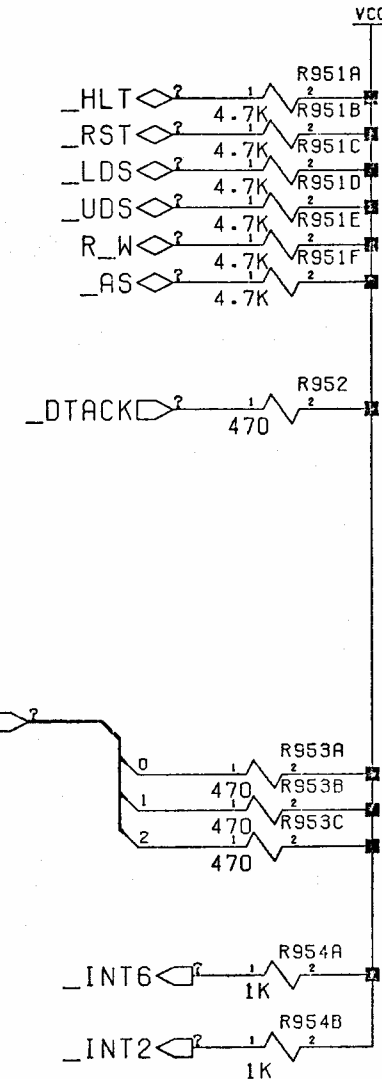
WARNING:
BYTE SWAPPED



POWER INPUT



"BUS" TERMINATION



NOTE: HEAVY LINES INDICATE A SINGLE POINT CONNECTION

GROUNDING HOLES, &C.

